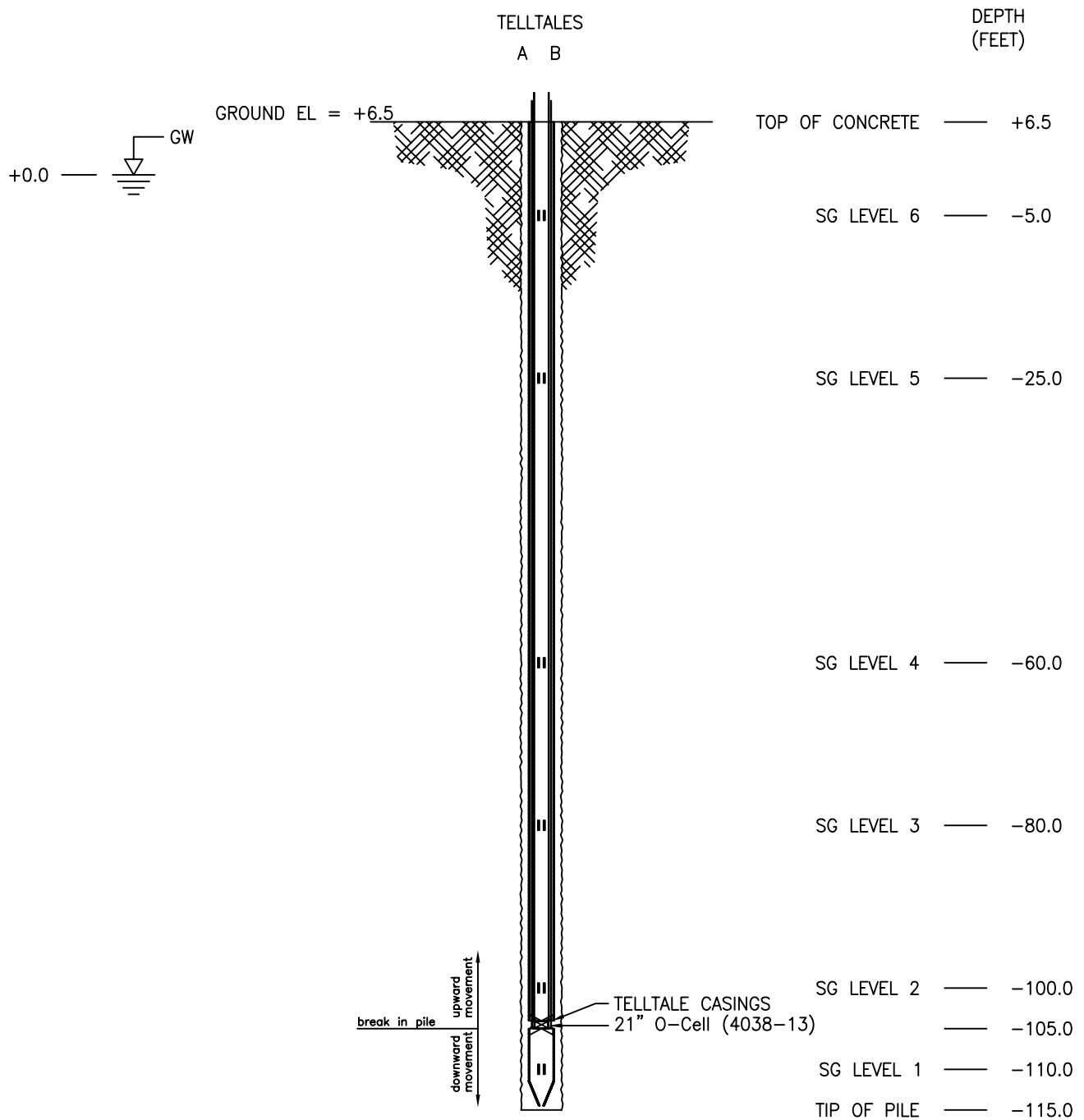


NOTE:
 - NOMINAL PILE 30"Ø



2631-D NW 41st St.
 Gainesville, FL 32606
 Phone 800-368-1138
 FAX 352-378-3934

SCHEMATIC SECTION OF TEST PILE
 Augercast (CFA)

DRAWN BY:	DATE:	CHECKED BY:	
REVISED BY:	DATE:	SCALE: NTS	FIGURE A